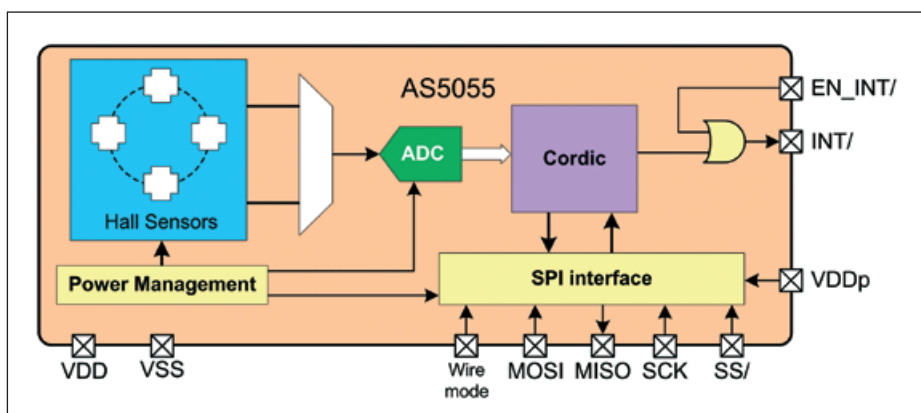


News Low-Power High-Resolution Magnetic Rotary Encoder IC

austriamicrosystems (SIX: AMS) today announced the AS5055 magnetic rotary encoder with automatic power-down and wake-up modes. Targeted for low-power battery operated applications such as robotics, the AS5055 is also well suited for other position sensing applications requiring small size and high resolution.

The AS5055 integrates four Hall sensor elements, a 12-bit angle encoder, a smart power management controller and an easy-to-use 3- or 4-wire SPI communications interface.

Housed in a small 4 × 4 mm QFN package, the low-power encoder is the smallest device in its class. Depending on the readout rate, the current consumption is reduced to 6A-levels, e. g. 506A average at 10 measurements



▲ AS5055 rotary encoder block diagram

per second – the lowest in the industry.

Only a few passive components and a magnet rotating above the chip are necessary to assemble the encoder systems.

Technical Contact:
 Jean-Marc Lucchini
 austriamicrosystems AG
 Schloss Premstätten
 A-8141 Unterpremstätten, Austria
 Phone.: +43 3136 500 4521
 jeanmarc.lucchini@austriamicrosystems.com
 www.austriamicrosystems.com